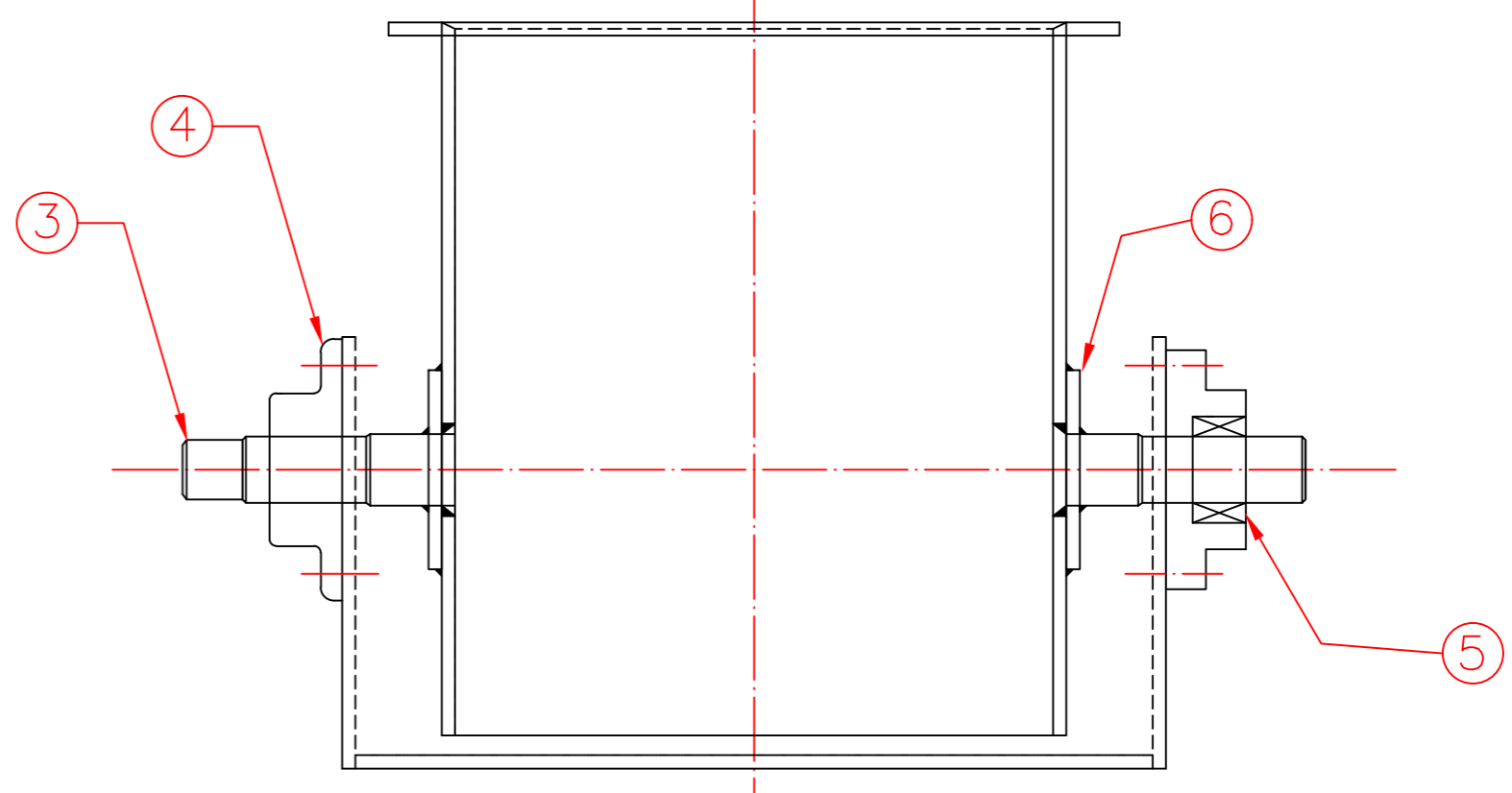
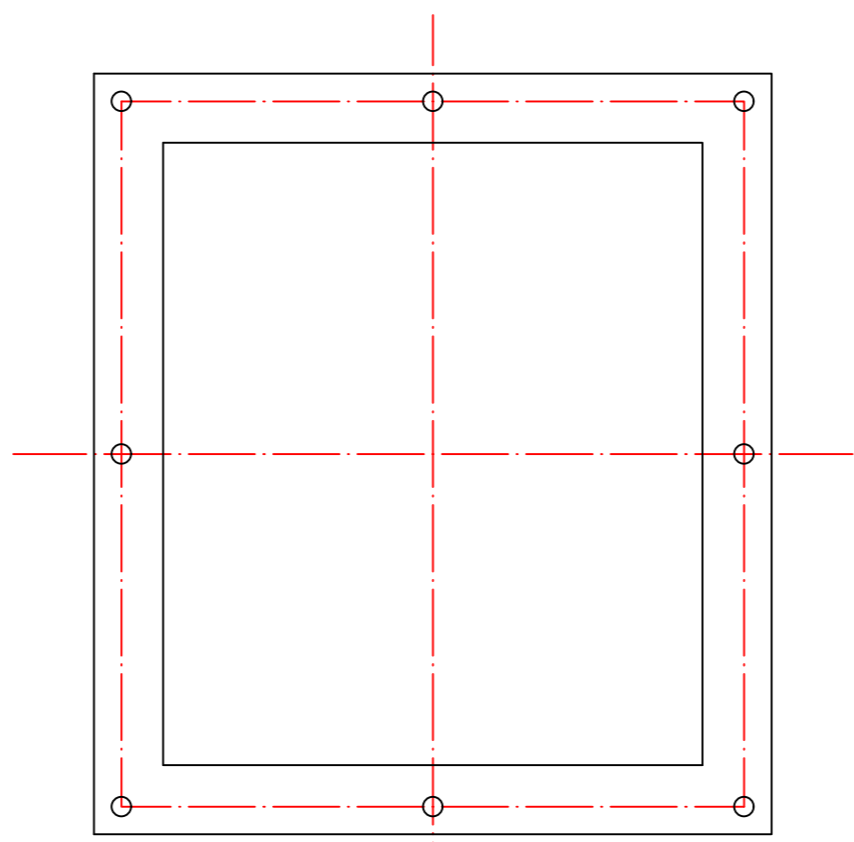


ELEVATION



VIEW A-A
(ACTUATOR NOT SHOWN)



TOP AND BOTTOM FLANGE DETAILS

OPERATION		ELECTRIC LINEAR ACTUATOR OPERATED	
ALL DIMENSIONS ARE IN MM.			
7	ELECTRIC LINEAR ACTUATOR	1	
6	PAD PLATE	4	
5	GEAR WHEEL WITH BEARING	2	
4	BEARING	2	
3	SHAFT	2	
2	GATE	2	
1	BODY	1	
P. NO.	DESCRIPTION	QTY.	MATERIAL
FOURTECKH ENVIRO (I) PVT. LTD.		CLIENT	M/s. -
		EQPT NO.	
		PROJECT	
DRN	-	TITLE-	
CHKD	-	GA OF SECTOR GATE	
APPD	-		
SCALE	NTS.		
JOB No.:	SHEET 10F1	DRG. NO.:- FEI-000	REV 0